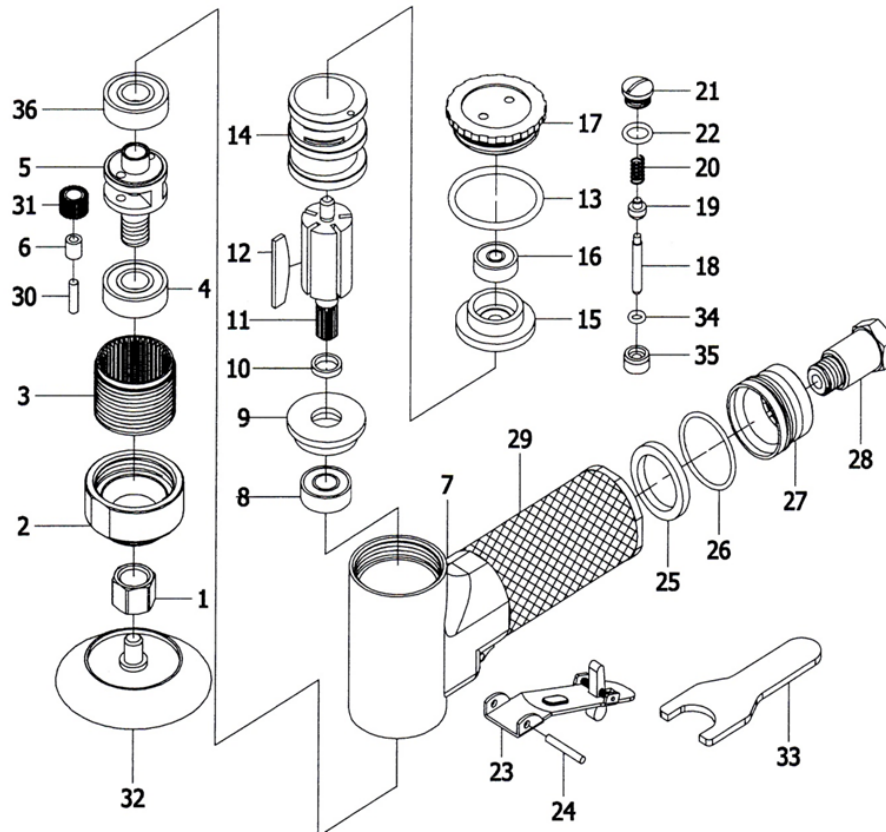


# GP-0438 / 0438K

## 3" ANGLE POLISHER



**PARTS DESCRIPTION**

<b><u>No.</u></b>	<b><u>DESCRIPTION</u></b>
1.	Nut
2.	Housing
3.	Internal Gear
4.	Ball Bearing
5.	Gear Cage
6.	Needle Roller (2)
7.	Housing
8.	Ball Bearing
9.	End Plate B
10.	O-Ring
11.	Rotor
12.	<b>Blade (5) **</b>
13.	O-Ring
14.	Cylinder
15.	End Plate A
16.	Ball Bearing
17.	Cap
18.	Valve Stem

**PARTS DESCRIPTION**

<b><u>No.</u></b>	<b><u>DESCRIPTION</u></b>
19.	Valve Ball
20.	Spring
21.	Plug
22.	O-Ring
23.	Throttle Lever
24.	Spring Pin
25.	Silencer
26.	O-Ring
27.	Air Deflector
28.	Air Inlet
29.	Rubber Sleeve
30.	Pin (2)
31.	Gear (2)
32.	3" PU Pad, Hook
33.	Wrench (17mm)
34.	O-Ring
35.	Plug
36.	Ball Bearing

\*\* Consumption Part